

TECHNICAL BULLETTIN

Document: TB_T318_036
Date: 30/11/2020
Subject: Front flap adjustment plate

Reference:	Table	Item	Code
	03-A	16	2403055
	03-A	17	2403056

Accomplishment: Immediate

The flap adjuster plates with p/n 2403055 and 2403056 have been discontinued.

Please find listed in the table below the part number for the replacement parts

Table 1

Part number	Description
2403061	Lh Front Flap Adjustment Plate
2403062	Lh Front Flap Adjustment Plate

In order to properly install the front flaps with the new adjuster plates is necessary to fit the flap spacers towards the centreline of the car.

Please find in the pictures below assembly views showing a comparison between the flap spacers installation with the actual flap adjuster (Figure 1) and the new one (Figure 2). The flap spacer is represented in red.

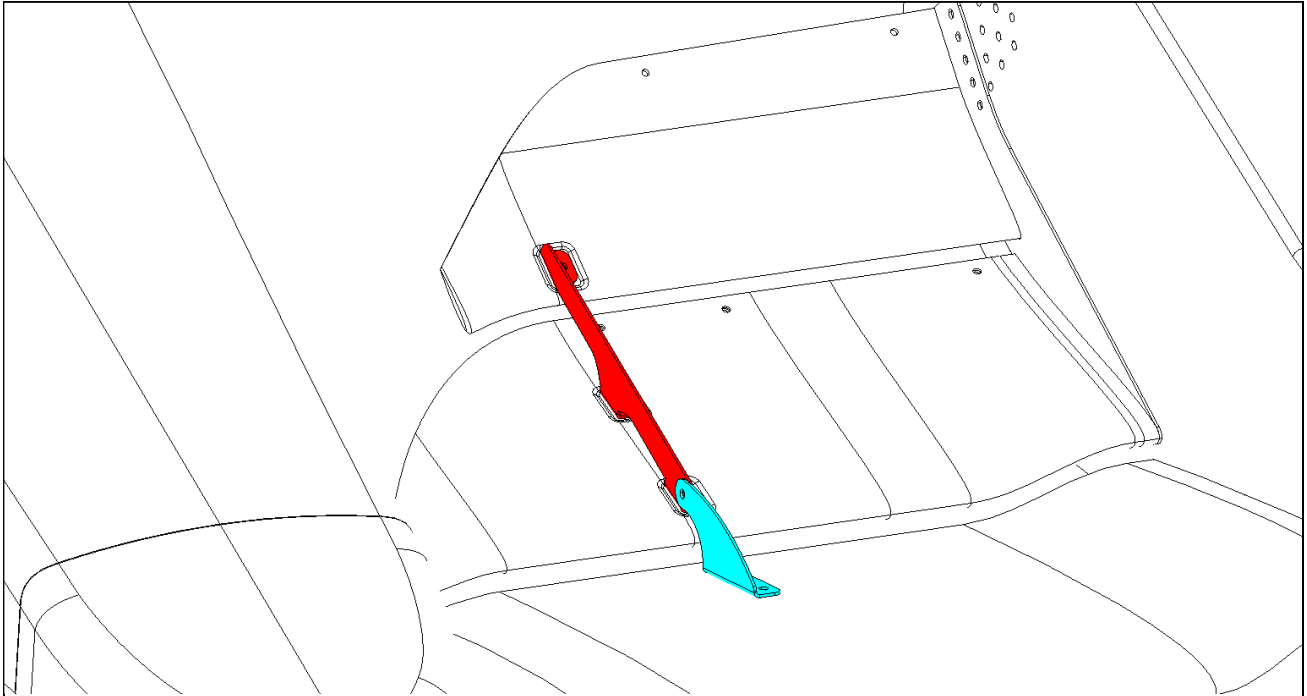


Figure 1: flap spacer installation with adjuster plates that have been discontinued

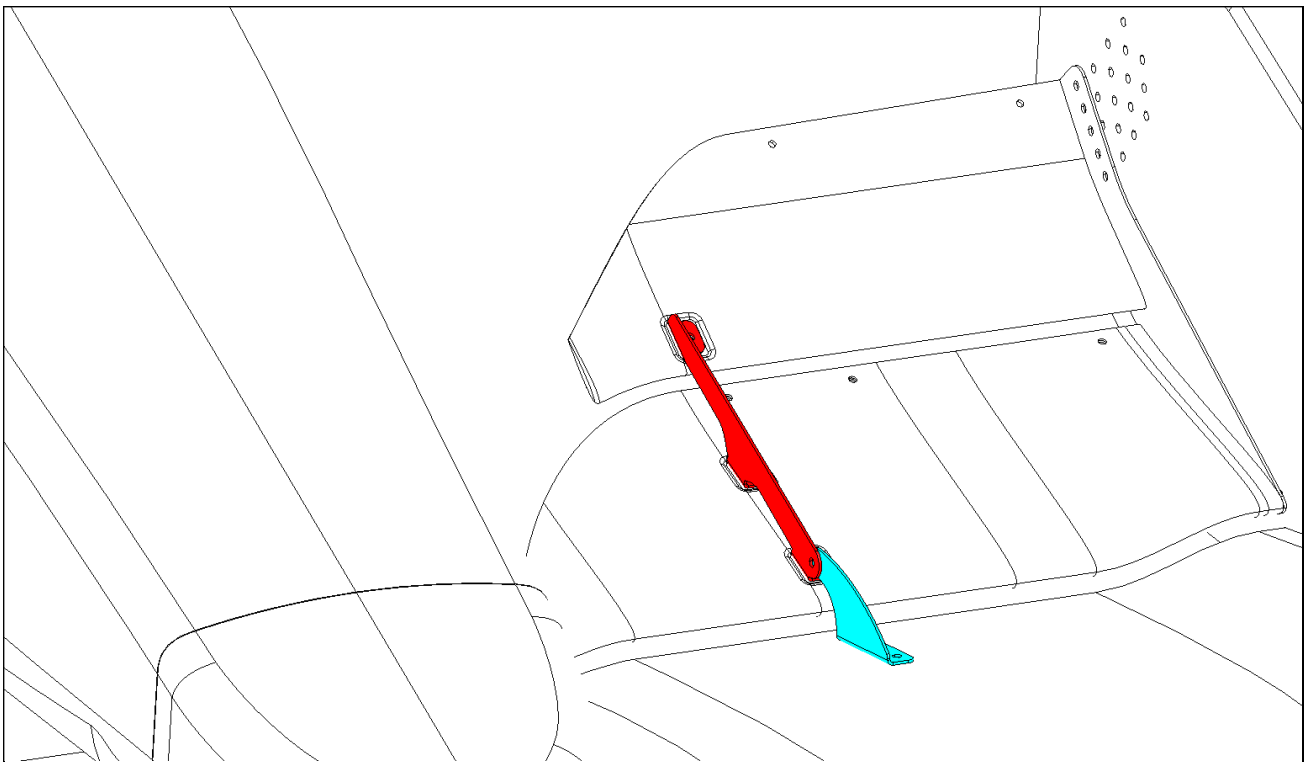


Figure 2: flap spacer installation with new adjuster plates

Please find below the hardware fasteners recommended for the new flap adjuster installation

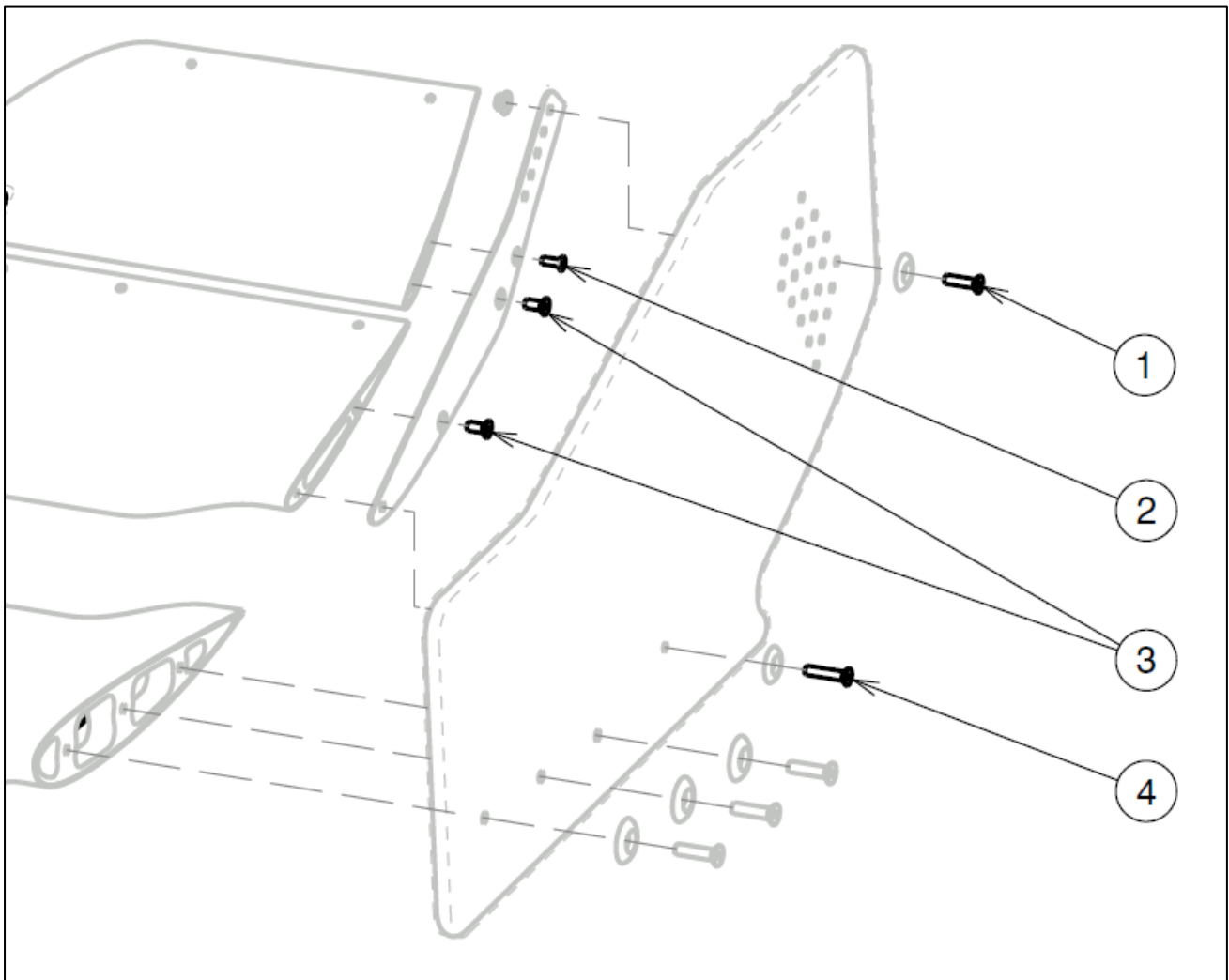


Table 2: recommended hardware to install the 2403061 and 2403062 adjuster plates

Item	Part number	Description
1	UNI5933-TX-M5X25	SHCSH Torx Screw
2	UNI5933-M4X16	SHCSH Screw
3	UNI5933-TX-M5X16	SHCSH Torx Screw
4	UNI5933-TX-M5X30	SHCSH Torx Screw

Please refer to the championship's regulation for the part legality